

September 23-25, 2002



New Orleans Marriott
Louisiana, USA

Floor Plan

The Fusion of Business and Technology

Exposition
Opening & Cocktail

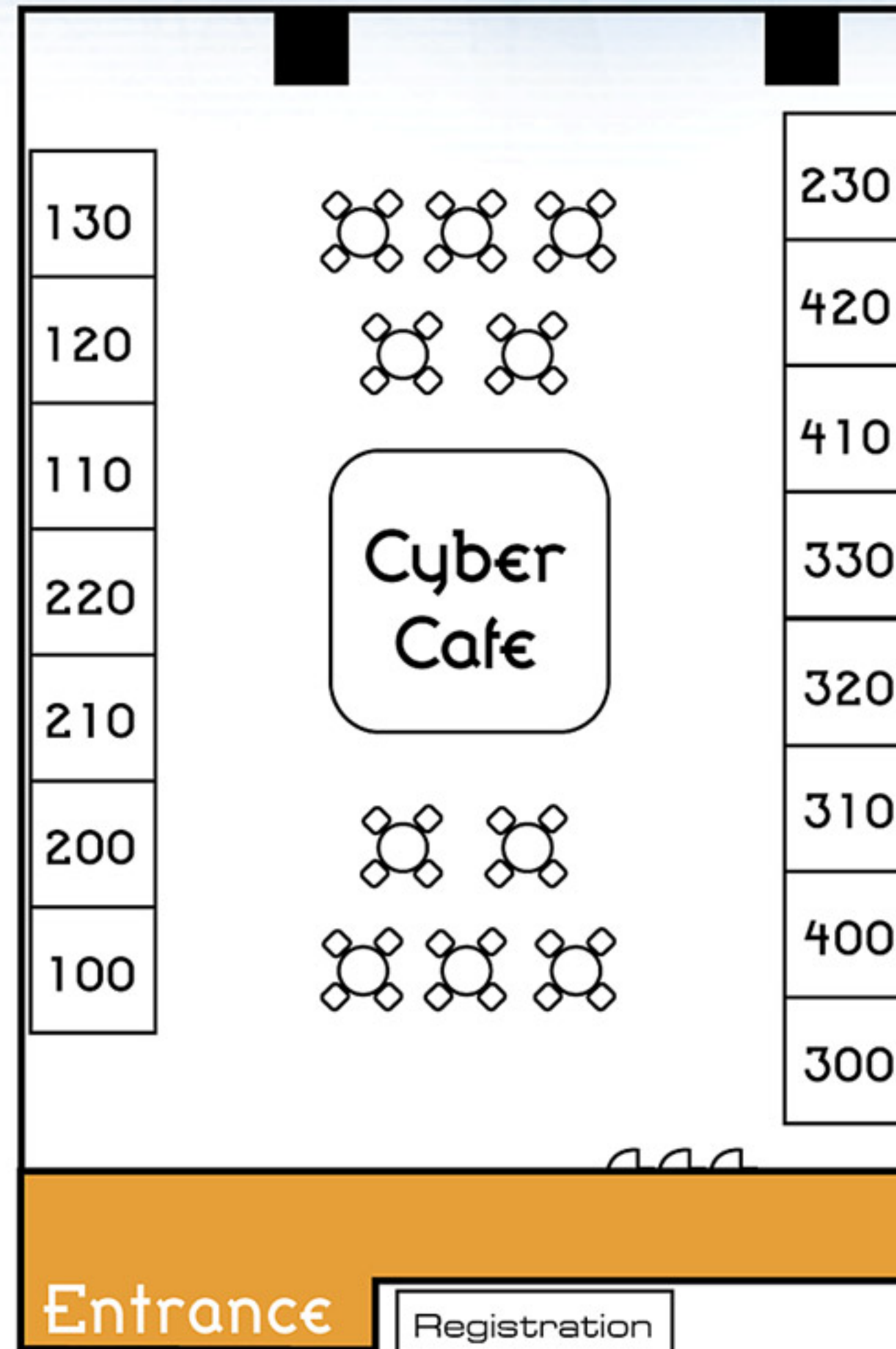
September 24
5:00 p.m. to 7:00 p.m.

Exposition

September 25
10:00 a.m. to 5:00 p.m.

For more information,
Please contact

Rainer Wellige
Tel. (514) 871-3421
rwellige@xmlworld.org



List of Exhibitors

Booth	Company
100-200	Excelon
110	Inovis
120	Isogen Int.
130	Liquent
210-220	DataDirect Tech.
230	Adobe Systems
300-400	Corel Corporation
310	Stellent
320	Arbortext
330	PricewaterhouseCooper
410	Lightspeed
420	Gauss

10x10

Booth
Scale

Co-Chaired by:



Produced by:



Co-Produced by:



Gold Sponsors:



Silver Sponsors:



Supported by:



Media Sponsors:

